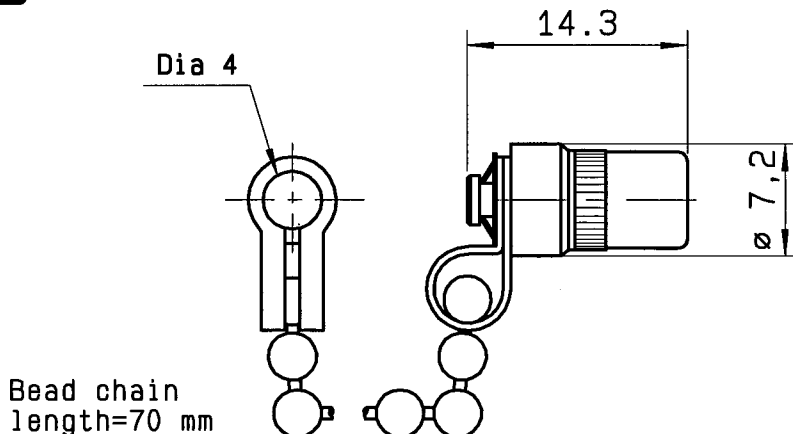




DRAWING



General tolerances: +/- 0.5 mm

R F CHARACTERISTICS

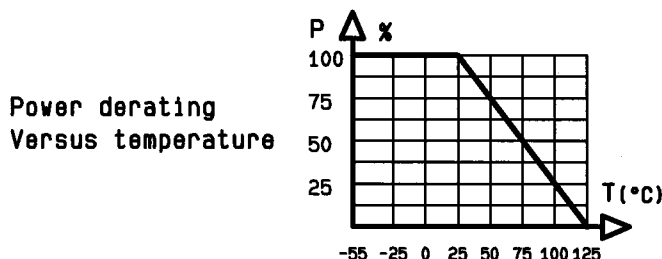
FREQUENCY RANGE	:	DC - 4 GHz
IMPEDANCE	:	50 Ohms
DC RESISTANCE	:	50 Ohms ± 5 %
V.S.W.R :	DC - 1 GHz	: ≤ 1.08
	1 - 4 GHz	: ≤ 1.20
PEAK POWER at 25°C (1µs,1%.)	:	100 W
AVERAGE POWER at 25°C	:	1 W

MECHANICAL CHARACTERISTICS

CONNECTORS	:	SMB female per MIL-C 39012
WEIGHT	:	< 7 g

ENVIRONMENTAL CHARACTERISTICS

OPERATING TEMPERATURE RANGE (°C)	:	-55 , +125
STORAGE TEMPERATURE RANGE (°C)	:	-55 , +125



This information is given as an indication. In the continual goal to improve our products, we reserve the right to make any modifications judged necessary

CREATION				
N° : 94105013				
PEN/EP: 94218				
Name: PG				
Date: 03. jan. 95	09. jul. 03	Frequency range 2.5 GHz --> 4 GHz	AF	FG
APP.: VE	ISSUE	REVISIONS	NAME	APPR.

RADIALL®

101. rue P. Hoffmann -Z.I Ouest-
93116 ROSNY/BOIS Cedex-FRANCE
Phone: 33(1)49353535
Fax : 33(1)48546363
Tvx RADIA 235220F

4412-9212